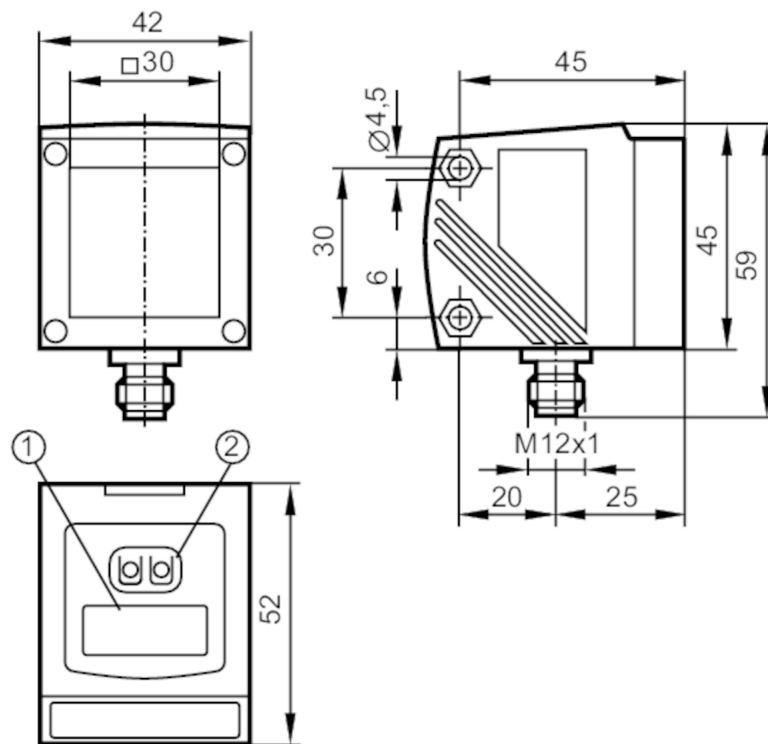


O1D121



Photoelectric distance sensor

O1DLF3KG



- 1 alphanumeric display 4-digit
2 Programming buttons



Product characteristics

Laser protection class	2
Housing	rectangular

Electrical data

Operating voltage [V]	23...25 DC; (cULus - Class 2 source required)
Current consumption [mA]	< 150; (250: <5 °C)
Protection class	III
Reverse polarity protection	yes
Typ. lifetime [h]	50000

Inputs / outputs

Number of inputs and outputs	Number of digital outputs: 2; Number of analog outputs: 1
------------------------------	---

Outputs

Total number of outputs	2
Electrical design	PNP
Number of digital outputs	2
Output function	normally open / closed; (programmable)
Max. current load per output [mA]	200
Number of analog outputs	1
Analog current output [mA]	4...20; (IEC 61131-2)

O1D121



Photoelectric distance sensor

O1DLF3KG

Max. load	[Ω]	250
Analog voltage output	[V]	0...10; (IEC 61131-2)
Min. load resistance	[Ω]	5000
Short-circuit protection		yes
Type of short-circuit protection		yes (non-latching)
Overload protection		yes

Monitoring range

Max. light spot width	[mm]	15
Max. light spot height	[mm]	15
Light spot dimensions refer to		10 m
Background suppression	[m]	< 19

Measuring/setting range

Measuring range	[m]	0.2...10; (white paper 200 x 200 mm 90 % remission)
Sampling rate	[Hz]	1...50

Operating conditions

Ambient temperature	[°C]	-26...60
Protection		IP 67

Tests / approvals

EMC	EN 60947-5-2	
Laser protection class		2
Notes on laser protection	Caution:	Laser light
	Power:	≤ 4,0 mW
	Wave length:	650 nm
	pulse:	1,3 ns
	Do not stare into beam.	
	Avoid exposure to the laser light.	
	laser class:	2
UL approval		EN / IEC60825-1:2007
		EN / IEC60825-1:2014
		Complies with 21 CFR 1040 except for deviations pursuant to Laser Notice No. 50, dated June 2007.
	Ta	-10...60 °C
	Enclosure type	Type 1
voltage supply	Class 2	
File number UL	E174191	

Mechanical data

Weight	[g]	249.2
Housing		rectangular
Dimensions	[mm]	59 x 42 x 52
Material		housing: diecast zinc; front lens: glass; LED window: PC
Lens alignment		Side sensing

O1D121



Photoelectric distance sensor

O1DLF3KG

Displays / operating elements

Display	Switching status	2 x LED, yellow
	Power	LED, green
	Distance, programming	alphanumeric display, 4-digit
Operating elements		Electronic lock, activated

Accessories

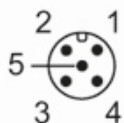
Accessories (optional)	Protective cover, E21133
------------------------	--------------------------

Remarks

Remarks	Temperature-controlled lens heating
Pack quantity	1 pcs.

Electrical connection - plug

Connector: 1 x M12; coding: A



Connection

